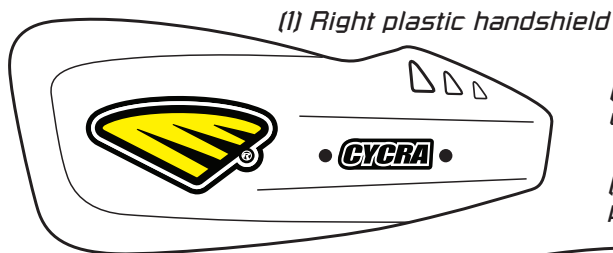


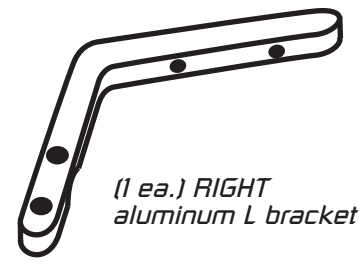
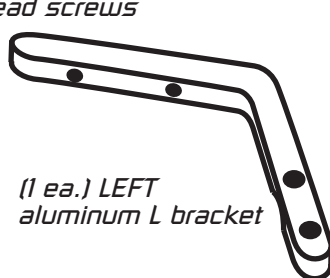
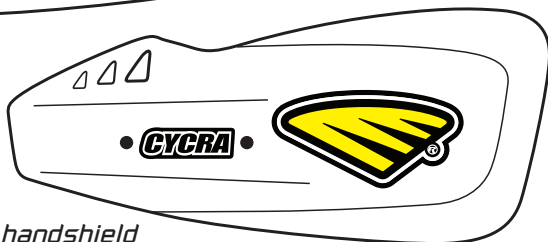


SNOWMOBILE SK 0045-00 STEALTH ALLOY BRACKETS

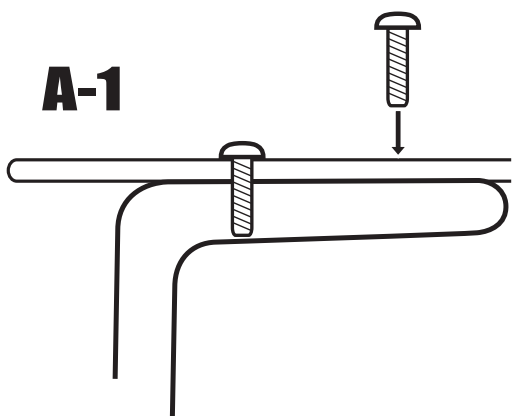


(4) 5mm phillips head clamp bolt

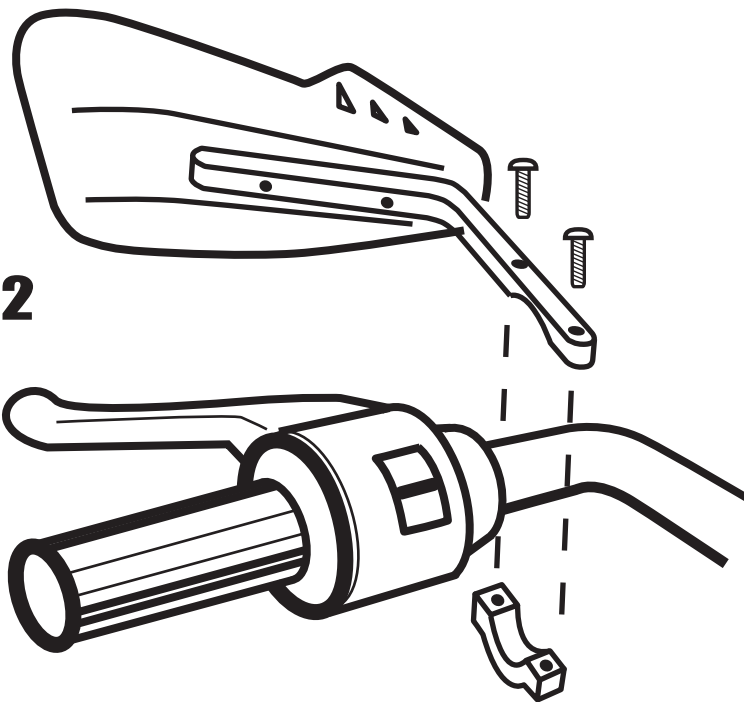
(4) Self tapping phillips head screws



1 - Attach the shields (Plastic) to the aluminum brackets using the screws provided. (diagram A-1).



A-2



2 - No matter how you choose to mount your brackets the "L" should be open to the end of the handlebar. (Diagram A-2)

3 - To begin the installation use the aluminum "L" bracket (Left or Right), "C" clamp, and (2) 5mm phillips head clamp bolts. Position the "L" Bracket outside of the lever perch and the grip.

4 - Secure around the handlebar by inserting 5mm bolts thru bracket and threading into "C" clamp. **Be cautious not to overtighten** - during a direct impact the bracket should rotate on the handlebar keeping it from breaking or bending the aluminum

5 - Follow this same procedure on the other side of the handlebar and be sure to check that all controls are free and clear of any obstruction. **Now you should be ready to ride!**